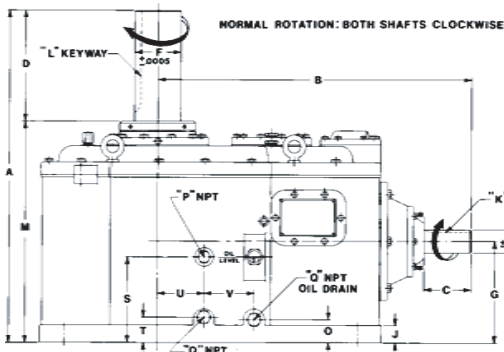
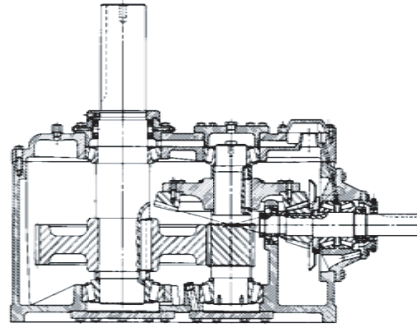
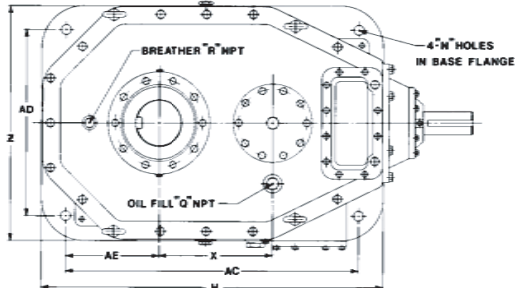
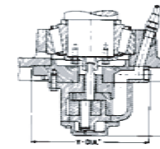
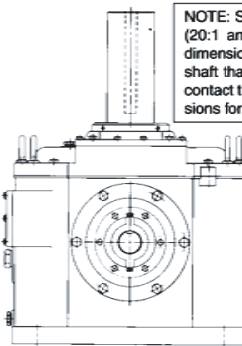


1814 Double Reduction



NOTE: Some of the higher gear drives (20:1 and up) may have slightly different dimensions involving the horizontal input shaft than those listed in Table VII. Please contact the factory to verify accurate dimensions for your high ratio applications.



OPTIONAL OIL PUMP
MINIMUM CLEARANCE
*Optional oil pump is positioned under the intermediate shaft. Contact factory for additional information & certified dimensional drawing.

A	B	C	C with non-reverse	D	E	F	G	H	J	K	L	M	N	O
44 3/4	39 1/4	5 7/8	5 7/8	15	3.124	6.498	14 1/2	44 1/4	2 1/2	3/4 x 3/8	1 1/2 x 3/4	29 3/4	1 9/16	2
P	Q	R	S	T	U	V	W	X	Y	Z	AC	AD	AE	WEIGHT
3/4	1	1/2	9/14	3 1/4	3 5/8	5 7/16	6 3/8	13 3/4	10 1/2	29 1/4	34 7/8	23 1/4	11 5/8	260 0

Exact Ratio

7.5	8	8.5	9	9.5	10	10.5	11	11.5	12	12.5	13	14	15	15.5	16	17	18	19	20	25
									12.06	12.52	13.15	14.21	15.23	15.50	16.07	16.88	18.24	18.82	20.02	25.04

Domestic Shipping Weight (lbs)	Weight with Export Boxing (lbs)	Export Box Dimensions (L, x W x H) (in)	Vertical Shaft Down Thrust Capacity (pounds)	17000	Thrust ratings vary greatly depending upon the transmitted power and the vertical shaft speed. The rating to the left are the axial loads that can be applied the fan shaft which will always result in a calculated bearing life greater than 100,000 hours. These ratings are based on the worse case from the power rating tables. All models can be supplied with larger thrust bearings or special bearing arrangements. Contact us when the fan loading conditions or the bearing life requirements cannot be satisfied with the ratings from the table.
4270	4530	65 x 50 x 51			

Service Horsepower Ratings (Service Factor =2.0)

RATIO*

Input RPM	7.5	8	8.5	9	9.5	10	10.5	11	11.5	12	12.5	13	14	15	15.5	16	17	18	19	20	25
1750										454	436	419	389	363	356	345	324	309	291	279	238
1450										376	361	346	322	301	295	286	268	255	241	231	197
1160										301	289	277	258	241	236	229	215	204	192	184	158

*Choose models & Ratios in outlined area for standard price and delivery. Contact us for all others.