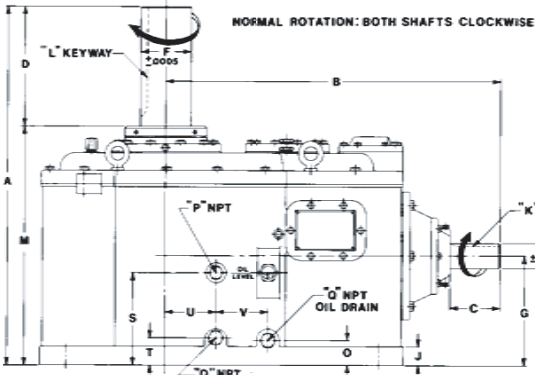
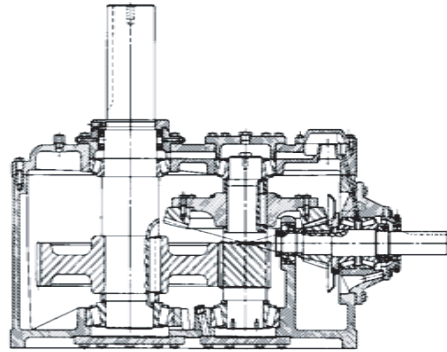
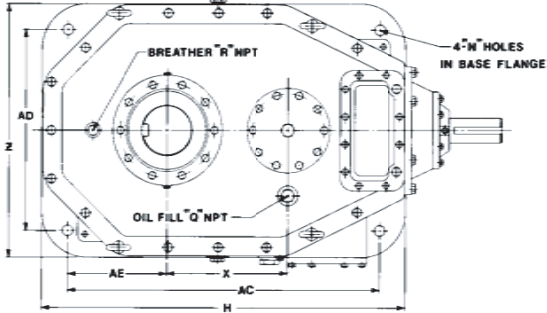
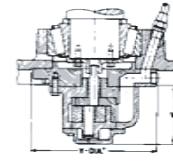
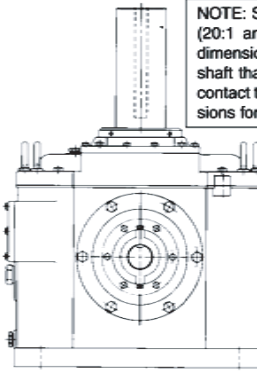


2016 Double Reduction



NOTE: Some of the higher ratio gear drives (20:1 and up) may have slightly different dimensions involving the horizontal input shaft than those listed in Table VII. Please contact the factory to verify accurate dimensions for your high ratio applications.



OPTIONAL OIL PUMP
MINIMUM CLEARANCE
*Optional oil pump is positioned under the intermediate shaft. Contact factory for additional information & certified dimensional drawing.

A	B	C	D	E	F	G	H	J	K	L	M	N	O	
48 5/8	43 3/4	6	6	15	3.499	7.498	16	52 3/4	3	7/8 x 7/16	1 3/4 x 7/18	33 5/8	1 13/16	2 5/8
P	Q	R	S	T	U	V	W	X	Y	Z	AC	AD	AE	WEIGHT
3/4	1	1/2	12 1/4	5	5 1/2	8 7/8	5 5/16	16 1/2	10	38 1/4	44 3/4	30 1/4	15 1/8	639 0

Exact Ratio

7.5	8	8.5	9	9.5	10	10.5	11	11.5	12	12.5	13	14	15	15.5	16	17	18	19	20	25
										13.04	13.86	15.25	15.50	16.05	16.84	17.94	18.67	20.00	25.00	

Domestic Shipping. Weight (lbs)	Weight with Export Boxing (lbs)	Export Box Dimensions (L, x W x H) (in)	Vertical Shaft Down Thrust Capacity (pounds)	17000	Thrust ratings vary greatly depending upon the transmitted power and the vertical shaft speed. The rating to the left are the axial loads that can be applied the fan shaft which will always result in a calculated bearing life greater than 100,000 hours. These ratings are based on the worse case from the power rating tables. All models can be supplied with larger thrust bearings or special bearing arrangements. Contact us when the fan loading conditions or the bearing life requirements cannot be satisfied with the ratings from the table.
6690	6970	70 x 46 x 55			

Service Horsepower Ratings (Service Factor =2.0)

RATIO*

Input RPM	7.5	8	8.5	9	9.5	10	10.5	11	11.5	12	12.5	13	14	15	15.5	16	17	18	19	20	25
1750												500	480	460	454	440	420	400	380	360	315
1450												414	398	381	376	365	348	331	315	298	261
1160												331	318	305	301	292	278	265	252	239	209

*Choose models & Ratios in outlined area for standard price and delivery. Contact us for all others.

	PROJECT NAME AND LOCATION:	THIS DRAWING IS THE SOLE PROPERTY OF COOLING TOWER DEPOT INC. USE SHALL BE LIMITED TO THE PROJECT FOR WHICH IT IS INTENDED. NO REPRODUCTION SHALL BE MADE NOR SHALL THIS INFORMATION BE MADE AVAILABLE TO THIRD PARTIES WITHOUT THE PRIOR WRITTEN CONSENT BY COOLING TOWER DEPOT INC. ANY AND ALL PROPRIETARY RIGHTS TO THIS INFORMATION AND DESIGN ARE THE SOLE PROPERTY OF COOLING TOWER DEPOT INC.										COOLING TOWER DEPOT, INC 651 CORPORATE CIRCLE, STE. 206 GOLDEN, CO 80401 720-746-1234	DRAWING NUMBER: A-100 SHEET: 1 of 1 SCALE: NO SCALE
	MODEL NO.:	REV.:	DESCRIPTION:	DESIGNED BY:	CHECKED BY:	APPROVED BY:	DATE:						
	DWG NAME:	1											
	DRAWING NUMBER: A-100	JOB NUMBER:	SHEET: 1 of 1	REV: 0									